



Vertically Integrated, Made in the USA

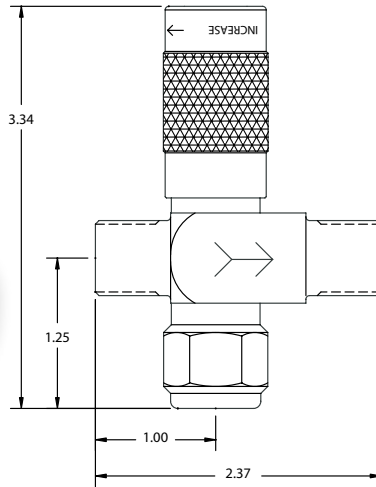
THE SPECIALTY MFG. CO.

5858 Centerville Road • St. Paul, MN 55127-6804

Tel: (651) 653-0599 • Fax: (651) 653-0989

www.specialtymfg.com • e-mail: info@specialtymfg.com

003 SERIES PRESSURE UNLOADER



Design Considerations

The 003 Series Unloader is designed for low pressure cold water pressure wash applications. The 003 Series Unloader traps pressure in the line when the spray gun is closed. The bypass port opens and fluid flows back to the inlet side of the pump or reservoir, allowing the pump to run under significantly reduced pressure. When the spray gun is opened, the bypass port closes and fluid is directed downstream to the nozzle. The 003 Unloader is tested for performance but not preset for pressure. Start with the Unloader at its lowest spring tension. Raise pressure by turning the adjusting cap clockwise. Fluoroelastomer (Viton®) Seals are available.

Maximum Operating Pressure — 1500 psi
Maximum Operating Temperature — 180°F
Maximum Flow Rate — 4 GPM

Options

Material Options	Brass Body and Ends, Stainless Seat, Piston and Springs	
Seal Options	Buna-N (Standard), Fluoroelastomer (Viton®)	
Inlet End	3/8 Male NPT	
Outlet End	3/8 Male NPT	
Bypass End	1/4 Female NPT	
Spring Options	500 psi, 1000 psi, 1500 psi All springs are adjustable from approximately 30% minus to 20% plus the spring rating. For example, a 500 psi spring can be set to operate in an adjustment range of 350 to 600 psi	
Repair Kit Options	003 U-Cup / O-Ring Seal Kit, Buna-N	Part Number - 0032090

Example of How To Order

Spring 1000 psi

Seal Buna-N

SMC Part Number: UNLOADER, 1000 PSI

SMC Part Numbers are a description of the based on the spring rate and Seal Material
Example: UNLOADER 1000 PSI = 1000 psi Spring, Buna-N Seals

SMC will quote alternate materials or customize our standard products when quantities ensure competitive pricing.